



**APPROVALS**




 **ENGINEERING CODE**  
302CO1401AB

 **APPROVED REFRIGERANT**  
R-404A

 **POWER SUPPLY**  
380 V 50 Hz

 **STANDARD CONDITIONS**  
EN12900

 **APPLICATION**  
MBP

 **COOLING CAPACITY**  
16408 W

 **EFFICIENCY**  
2.26 W/W

 **MOTOR TYPE**  
SCRL

**DATA**

**General Data**

Type	Hermetic Scroll Compressor
Technology Type	On-Off
Displacement (Swept Volume)	25.3 m <sup>3</sup> /h (145.4 cm <sup>3</sup> /rev)
Compressor Cooling	Static
Horse Power	9 hp
Power Supply	380-420 V 50 Hz / 460 V 60 Hz

## Electrical Data

Motor type	SCRL
Pole	2
Voltage working range at 50 Hz	342-462 V
Voltage working range at 60 Hz	414-506 V
Maximum Motor Temperature	130 °C
Run Winding Resistance	1.09 Ω at 25° C
Motor insulation class	B
Rated speed	approximately 2900
High Side	3.2 MPa
Low Side	2 MPa
Maximum discharge temperature	125
Pressure release valve opening range	2.76-3.10 MPa

## Mechanical Data

Maximum Recommended Refrigerant Charge	8 Kg
Oil Type	POE 32
Oil Initial Volume	2.7 L
Oil Recharge Volume	2.6 L
Oil Circulation	<1 %
Weight	54.1 Kg
Free Internal Volume Low	6.5 L
Free Internal Volume High	0.9 L

## Electrical Components

	Description
Motor Protection	Internal Protector

## External Characteristics

<b>Base Plate Holes</b>	191x191		
<b>Base Plate Dimensions</b>	232x232		
<b>Height</b>	506 mm		
<b>Diameter</b>	197 mm		
<b>Hanger Tab</b>	1		
<b>Oil Side Glass</b>	1		
Connector	Internal Diameter	Material	Shape
<b>Suction</b>	1 3/4"-12UN	Copper plated steel tube	Rotolock
<b>Discharge</b>	1 1/4"-12 UNF 2A	Copper plated steel tube	Rotolock

## PERFORMANCE

## Rated Points

Cooling Capacity	Power Input	COP	Rated Load Amps RLA	Locked Rotor Amps LRA	Maximum Operating Current MOC	Sound Power Level
16408 W	7259 W	2.26 W/W	13.1 A	117 A	21 A	76 dBA

Test Condition: EN12900: Te -10°C; Tc 45°C; Rg 20°C. No subcooling; Ta 35°C. Data in accordance to EN12900 guideline polynomial curve.

## Performance Curve Data - Frequency: 50Hz

Condensing Temperature 35°C

Evaporating Temperature °C	Cooling Capacity W	Power W	Efficiency W/W
-30	8456	1468	5.76
-25	10498	1547	6.79
-20	12869	1627	7.91
-15	15641	1708	9.16
-10	18885	1789	10.56
-5	22670	1869	12.13
0	27068	1947	13.9
5	32149	2022	15.89
10	37984	2095	18.14

Test Condition: EN12900, Static, MBP. Data in accordance to EN12900 guideline polynomial curve.

### Condensing Temperature 45°C

Evaporating Temperature °C	Cooling Capacity W	Power W	Efficiency W/W
-30	7307	1742	4.2
-25	9166	1841	4.98
-20	11255	1938	5.81
-15	13646	2034	6.71
-10	16408	2127	7.71
-5	19612	2217	8.85
0	23330	2301	10.14
5	27631	2381	11.61
10	32587	2454	13.28

Test Condition: EN12900, Static, MBP. Data in accordance to EN12900 guideline polynomial curve.

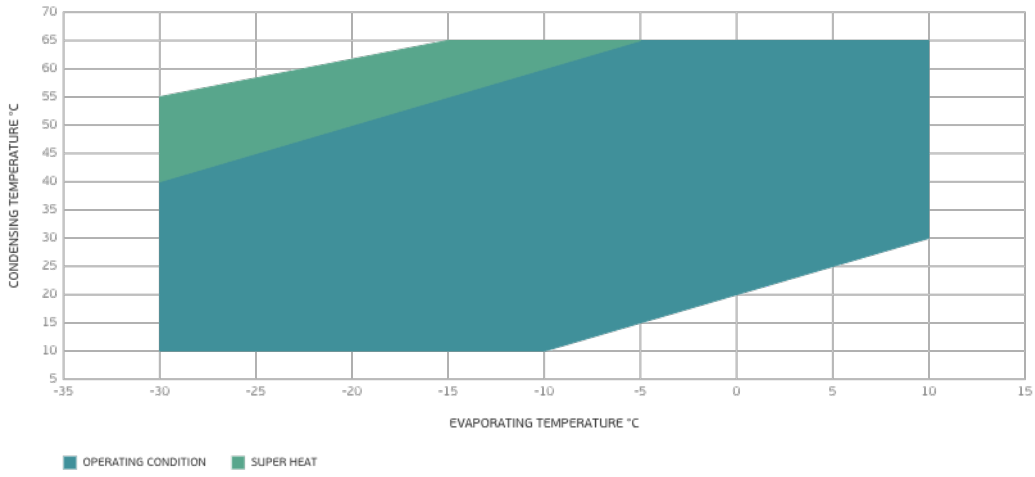
### Condensing Temperature 55°C

Evaporating Temperature °C	Cooling Capacity W	Power W	Efficiency W/W
-30	5846	2072	2.82
-25	7521	2195	3.43
-20	9328	2314	4.03
-15	11336	2428	4.67
-10	13616	2537	5.37
-5	16240	2639	6.15
0	19277	2734	7.05
5	22798	2821	8.08
10	26875	2899	9.27

Test Condition: EN12900, Static, MBP. Data in accordance to EN12900 guideline polynomial curve.

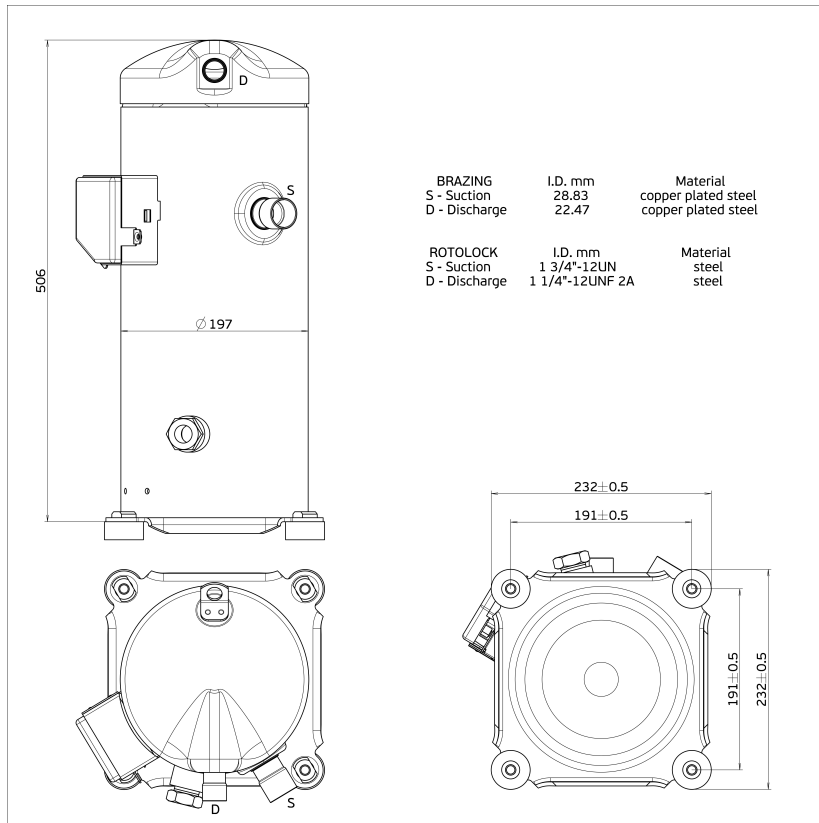


## Operating Envelope



The envelope presented is related to R404A/R452A. For others, please contact our technical support.

## External Dimensions



Wiring Diagram

